



TANK BARGE PRODUCTS

TIMCO INDUSTRIES INC.

HOUSTON, TX

812.945.8988

NEW ALBANY, IN



TIMCO SG-612

- Easier to install
- Simple glass replacement
- Less glass breakage
- Longer operational life without vapor leaks
- Serialized and digitally pressure tested

All Stainless Steel construction including Deck Mounting Flange and Weather Cover. Single 2" Thick SS Glass Frame has Superior Strength, yet weighs only 53 LBS Total. Rigid Mono Frame Design requires No Torque Wrench for fast simplified assembly without fear of glass breakage.



WATCH OUR DEMO

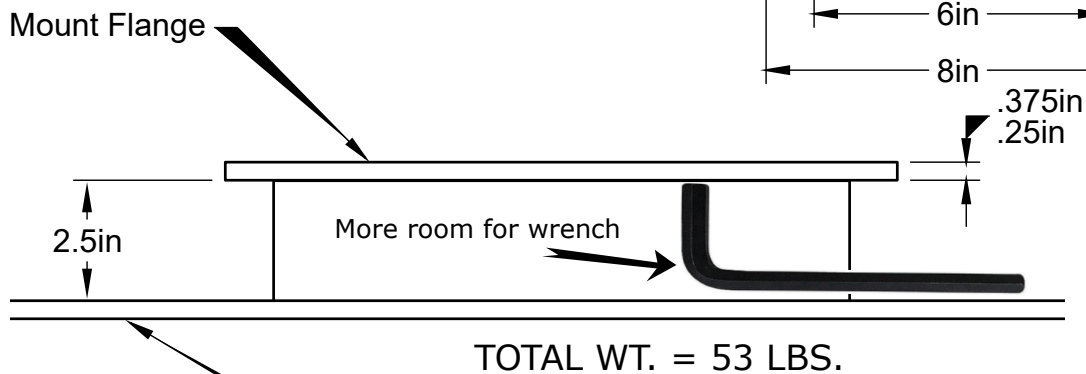
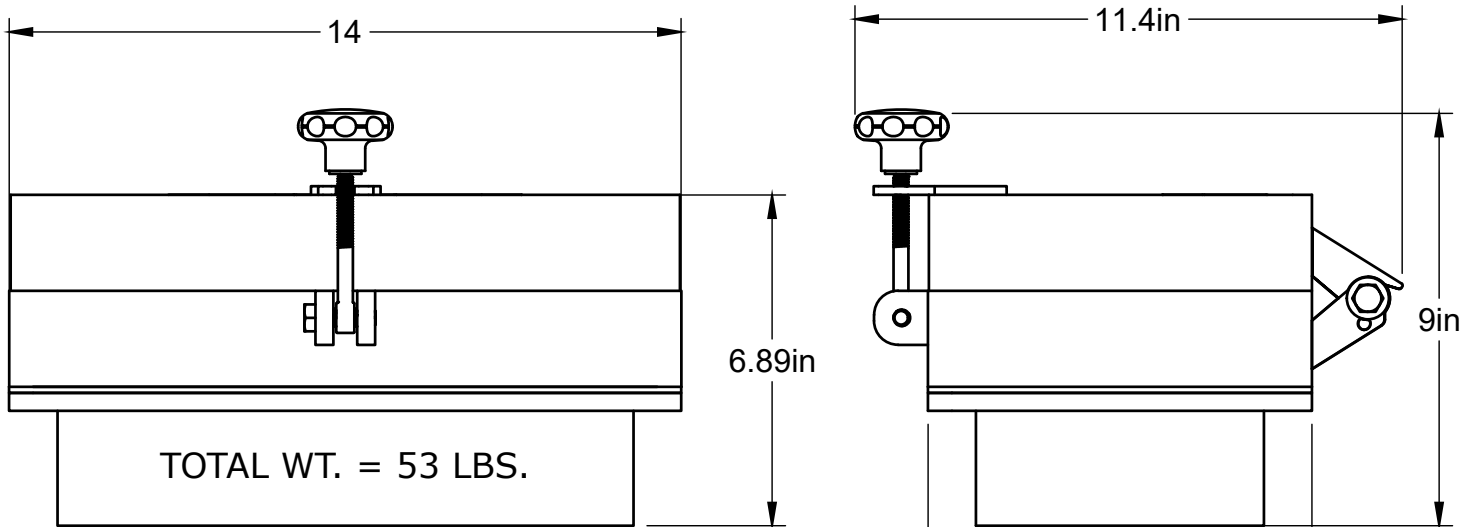
Glass Surface is Top Flush, so water cannot pool on the glass surface and form surface residue. SS Deck Mounting is taller for wrench access and has a standard bolt pattern allowing interchangeability and exchange with existing old style rectangular sight glasses.

Our Borofloat 3/4" TK Glass assembly fits perfectly existing sight glasses for an easy repair or upgrade. All Glass Wiper related components are also interchangeable with old style parts. Timco's Unique Performance Wiper Bushing Seals BEST.

Gasket Materials are: Graphoil, Teflon, FEP, Sealon, Viton, Non-Asbestos, as best suited to cargo characteristics.

WWW.TIMCOINDUSTRIES.COM

TIMCO SG-612 DIMENSIONS



FULL COMPLIANCE WITH 46 CFR 39 PARAGRAPH 39-20-3(a.)

MADE IN AMERICA

TIMCO INDUSTRIES INC.

HOUSTON, TX 812.945.8988 NEW ALBANY, IN